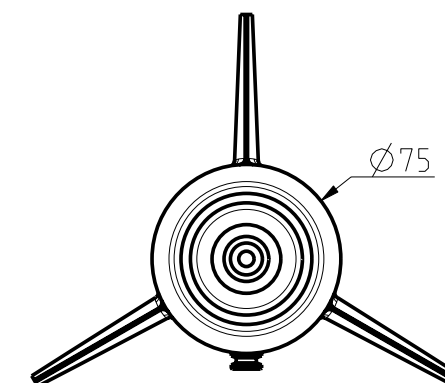
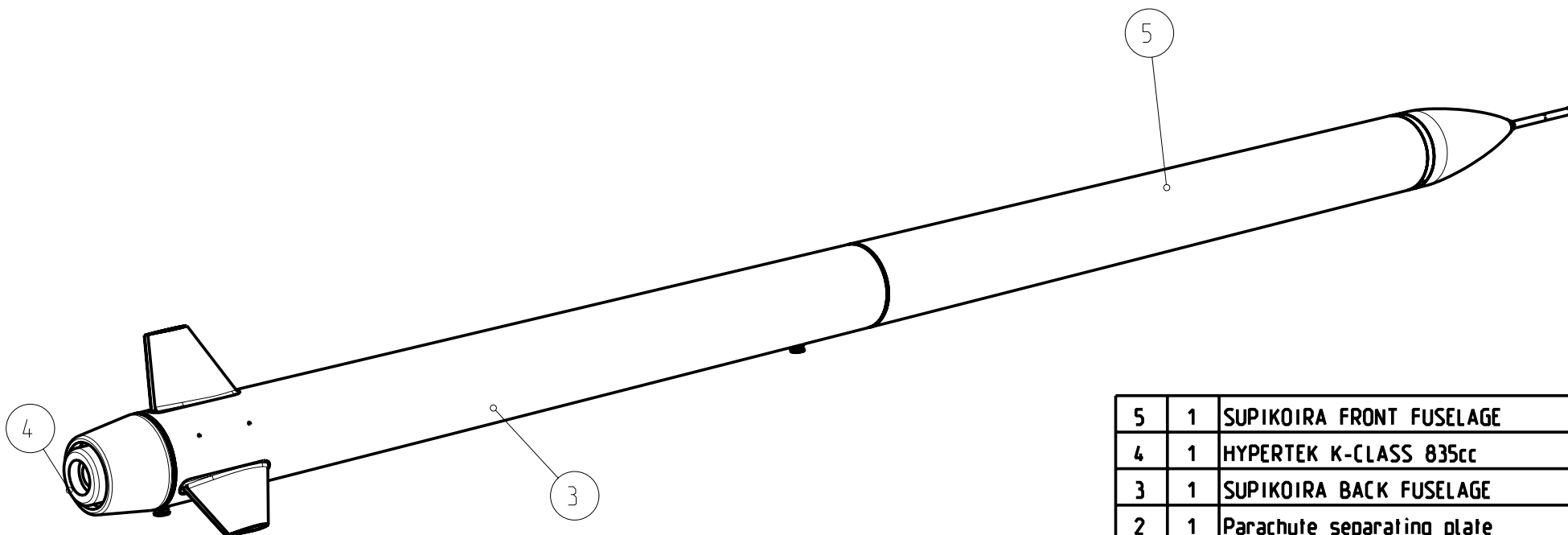
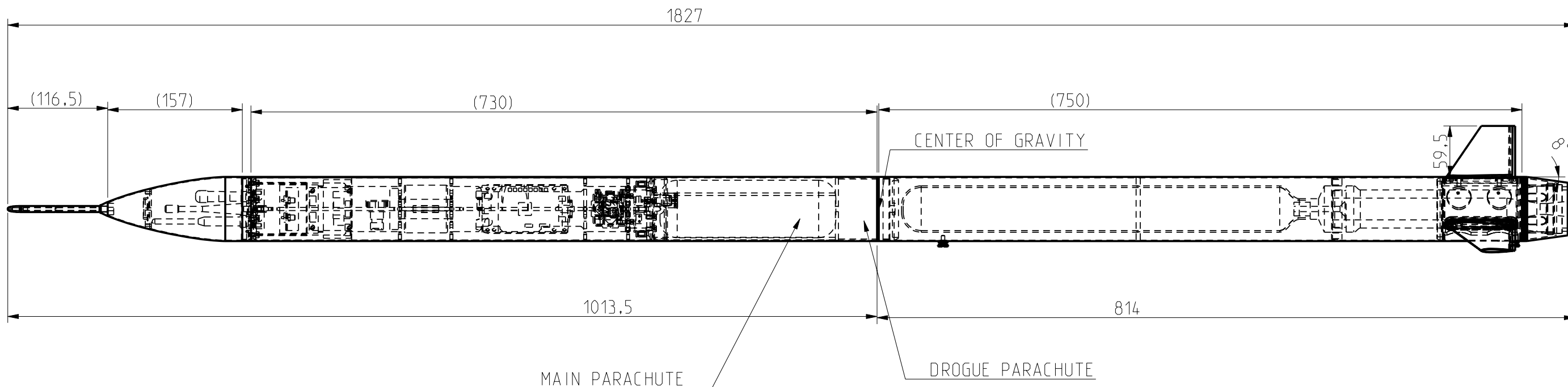


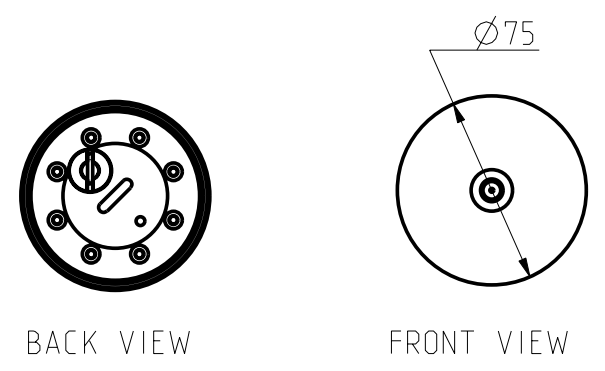
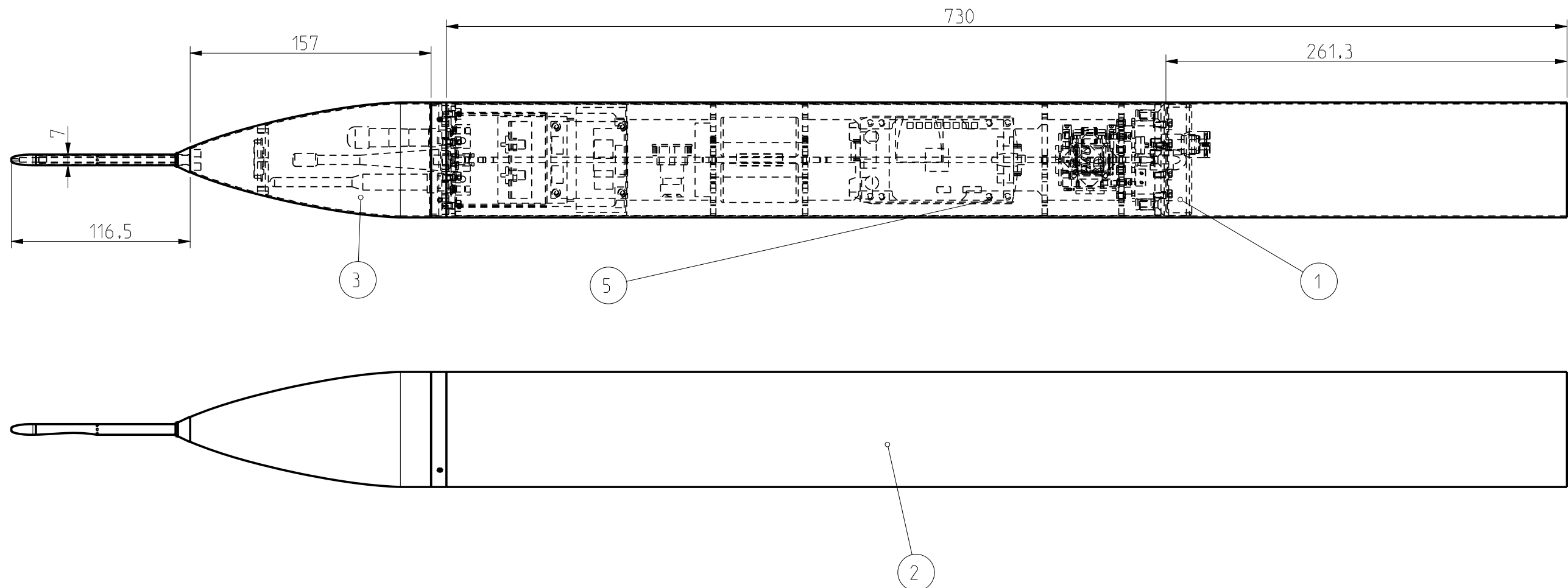
Maximum Flight Altitude
 Approximately 2500m



SCALE 1:3

MAX. FLIGHT ALTITUDE FOR SUPIKOIRA-1
 WITH K-CLASS HYPERTEK IS
 APPROXIMATELY 2500m.
 Rocket mass with filled motor: 5.0 kg

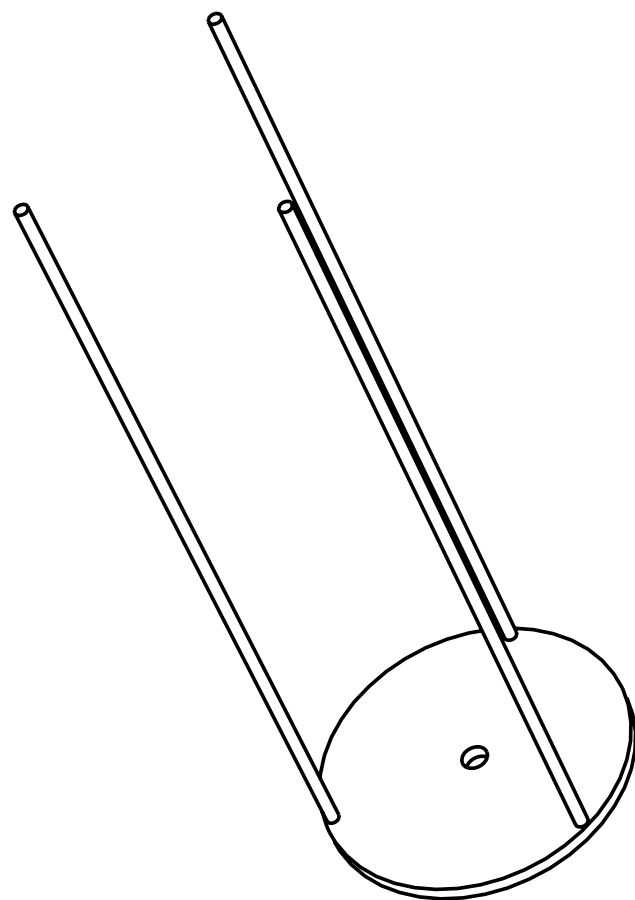
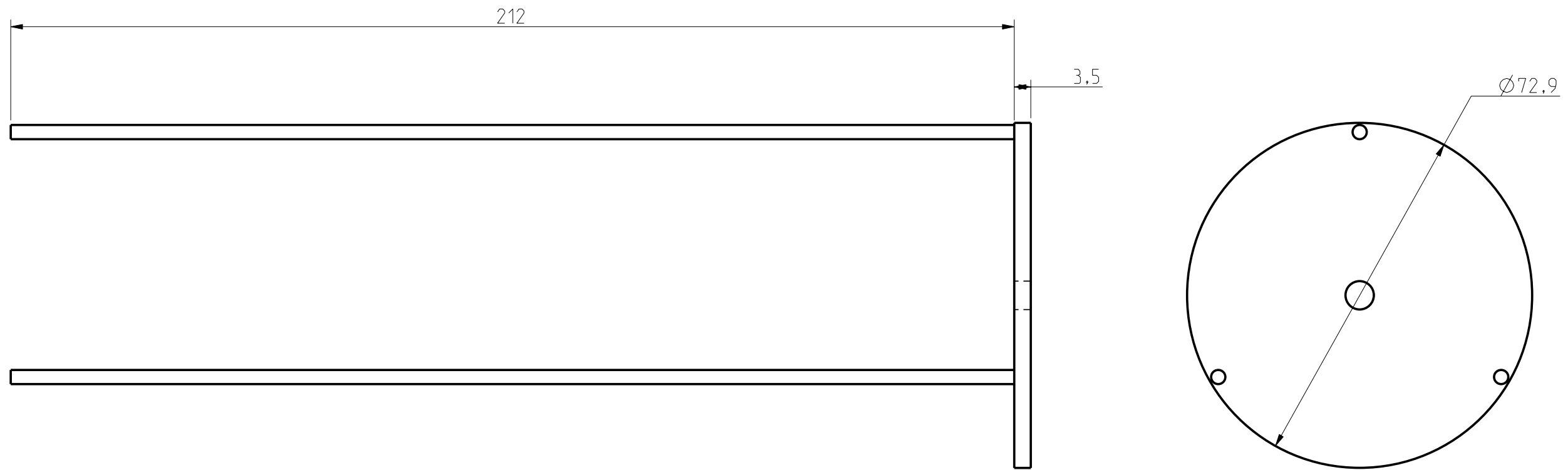
5	1	SUPIKOIRA FRONT FUSELAGE							-	
4	1	HYPERTEK K-CLASS 835cc							-	
3	1	SUPIKOIRA BACK FUSELAGE						CF	-	
2	1	Parachute separating plate	-					CF	-	
1	1	MAIN PARACHUTE	-					-	-	
Item	Qty	Description	Standard	Material	Drawing No					
		Sheet	Paper Size	Designer	Appr.	Scale	Replacing	Date		
		1 of 7	A3	TB		1:5		2005-04-09		
		CASTOR	SUPIKOIRA-1 ROCKET HYBRID MOTOR				Project No	Prod.-grp		
							Drawing no.	Revision		05



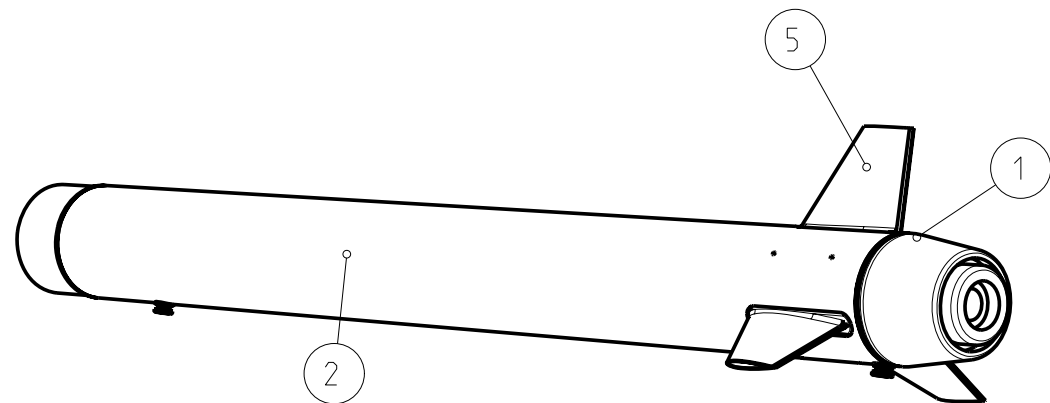
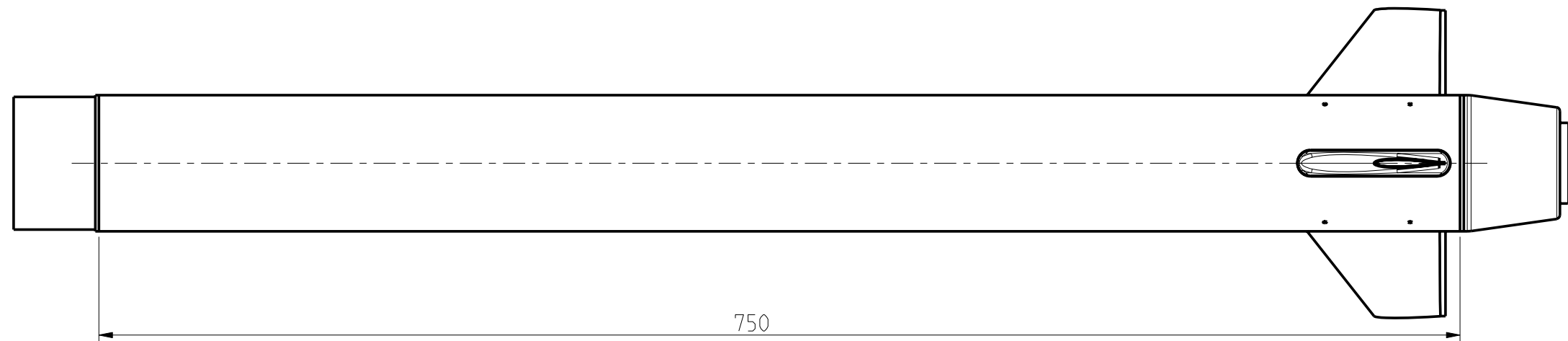
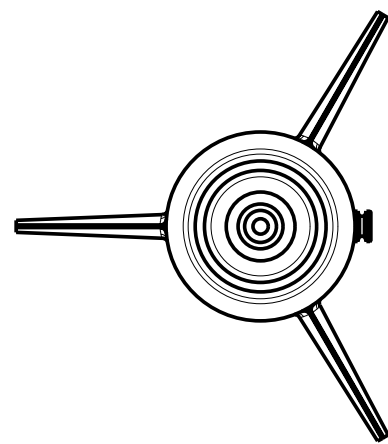
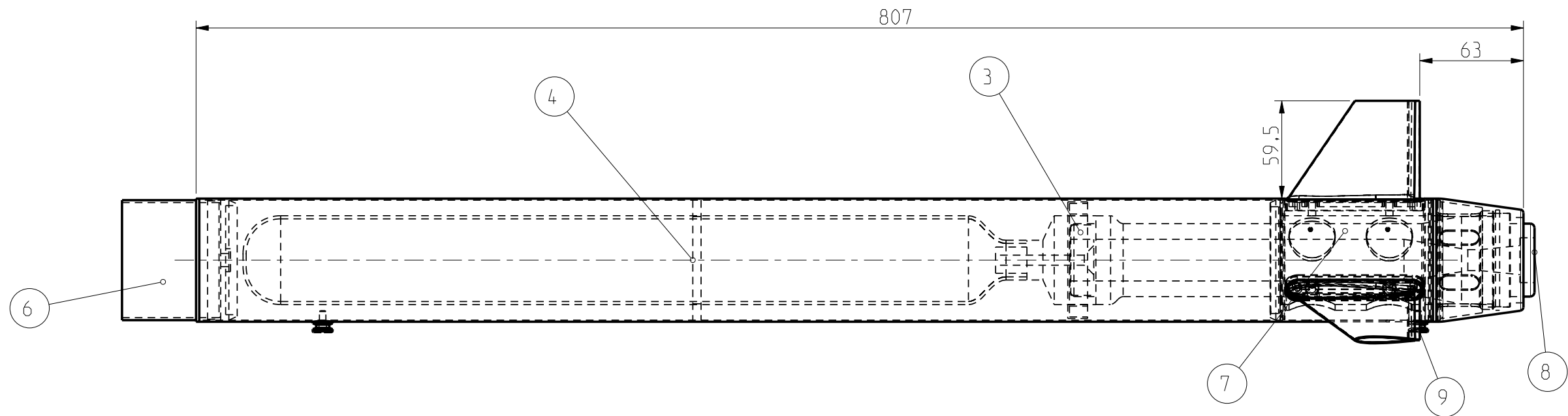
Item	Qty	Description	Standard	Material	Drawing No
5	1	PAYLOAD SECTION			-
4	1	Open/cutter			-
3	1	NOSE CONE ASSY			-
2	1	FRONT BODY TUBE	-	CF	-
1	1	PAYLOAD ATTACH COLLAR	-	-	-

CASTOR	Sheet	Paper Size	Designer	Appr.	Scale	Replacing	Date	
	2 of 7	A3	TB		1:3		09-04-2005	
	SUPIKOIRA FRONT FUSELAGE						Project No	Prod.-grp
							Drawing no.	Revision
						-	02	

1. 2. 3. 4. 5. 6. 7. 8. 9. 10. 11. 12. 13. 14. 15. 16. 17. 18. 19. 20. 21. 22. 23. 24. 25. 26. 27. 28. 29. 30. 31. 32. 33. 34. 35. 36. 37. 38. 39. 40. 41. 42. 43. 44. 45. 46. 47. 48. 49. 50. 51. 52. 53. 54. 55. 56. 57. 58. 59. 60. 61. 62. 63. 64. 65. 66. 67. 68. 69. 70. 71. 72. 73. 74. 75. 76. 77. 78. 79. 80. 81. 82. 83. 84. 85. 86. 87. 88. 89. 90. 91. 92. 93. 94. 95. 96. 97. 98. 99. 100.

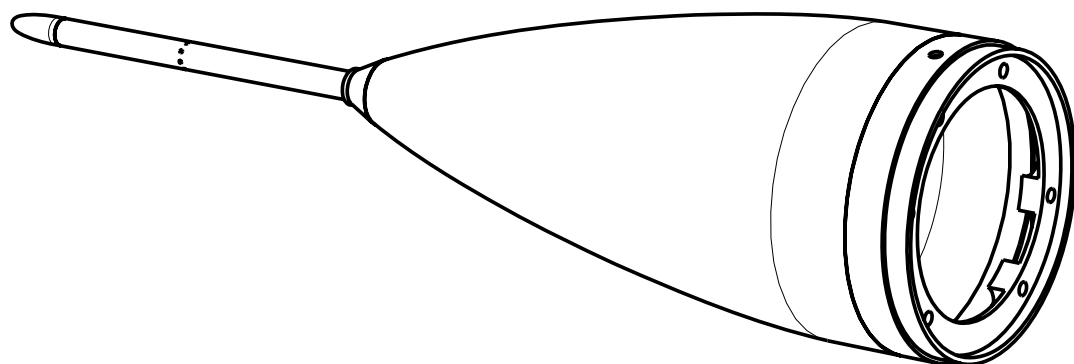
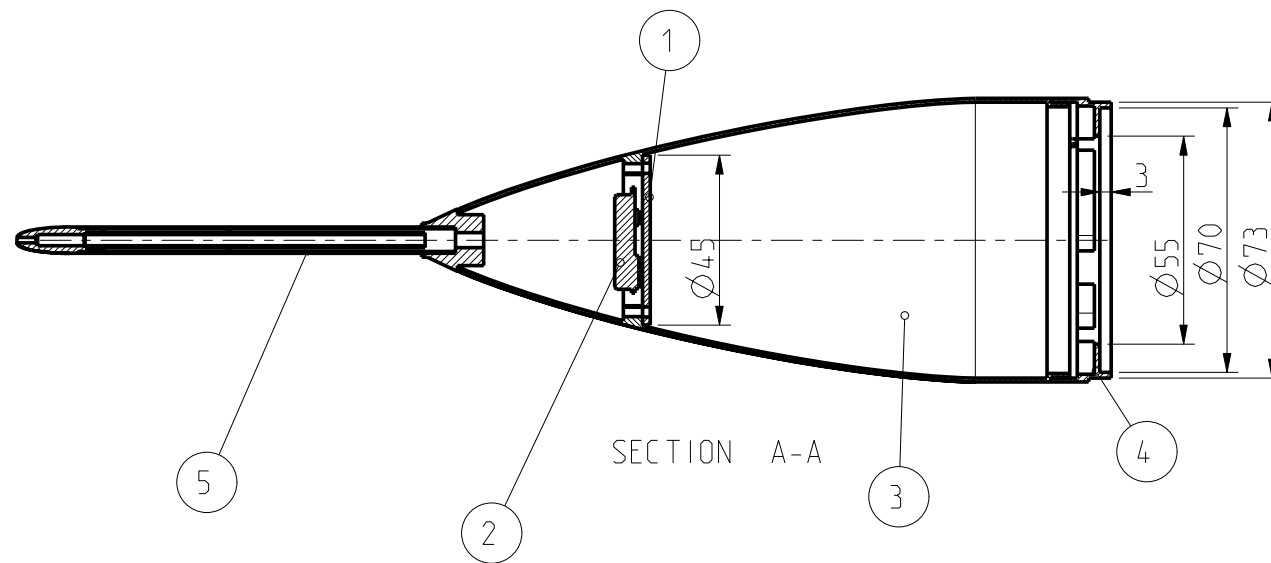
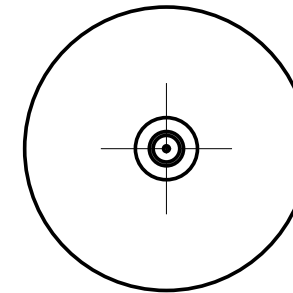
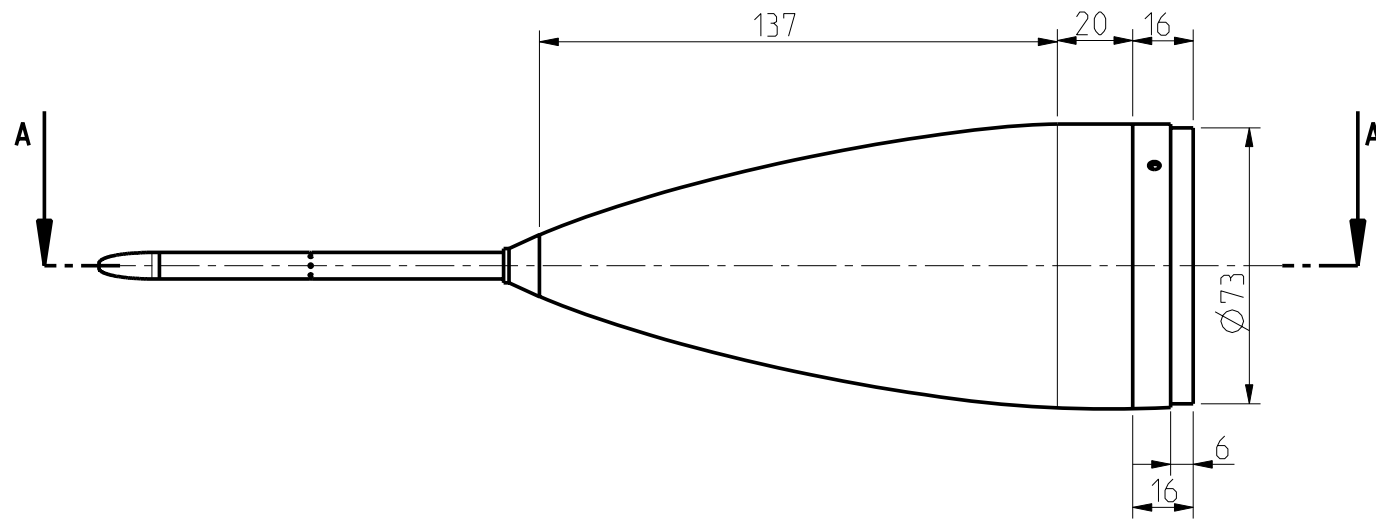
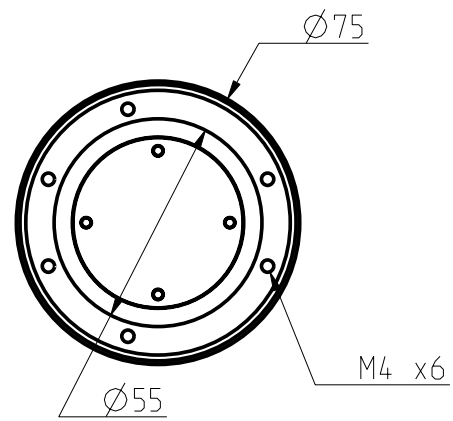


| Item | Qty | Description | | | | | Standard | Material | Drawing No |
|--------|-----|----------------------------|------------|----------|-------|-------------|-----------|--------------|------------|
| CASTOR | - | Sheet | Paper Size | Designer | Appr. | Scale | Replacing | Date | |
| | | 3 of 7 | A3 | TB | | 1:1 | | - 2007-06-04 | |
| | | Parachute separating plate | | | | | | Project No | Prod.-grp |
| | | | | | | Drawing no. | Revision | | |
| | | | | | | | | - 01 | |



| Item | Qty | Description | Standard | Material | Drawing No |
|------|-----|------------------------|----------|----------|------------|
| 9 | 2 | RAIL BUTTON | | | - |
| 8 | 1 | HYPERTER K-CLASS 835cc | | | - |
| 7 | 1 | MOTOR MOUNT 1 | - | EN7075 | - |
| 6 | 1 | BACK FUSELAGE COLLAR | - | EN7075 | - |
| 5 | 3 | AIRFOIL WING NACA0012 | | CF | - |
| 4 | 1 | MOTOR SUPPORT RING | - | CF | - |
| 3 | 1 | MOTOR MOUNT 2 | - | CF | - |
| 2 | 1 | BACK BODY TUBE | - | CF | - |
| 1 | 1 | Boat tail | - | - | - |

| | | | | | | | | |
|--------|-------------------------|------------|----------|-------|-------|-----------|-------------|-----------|
| CASTOR | Sheet | Paper Size | Designer | Appr. | Scale | Replacing | Date | |
| | 4 of 7 | A3 | TB | | 1:3 | | 09-04-2005 | |
| | SUPIKOIRA BACK FUSELAGE | | | | | | Project No | Prod.-grp |
| | | | | | | | Drawing no. | Revision |
| | | | | | | - | 04 | |



| 5 | 1 | PITOT PIPE ISO 3966-1977 NPL-type | | | - | | | |
|------|-----|-----------------------------------|----------------|----------|------------|-------|-------------|------------|
| 4 | 1 | ASSEMBLY RING | - | EN7075 | - | | | |
| 3 | 1 | NOSE CONE HAACK | - | ARAMID | - | | | |
| 2 | 1 | GPS unit up100 | - | - | - | | | |
| 1 | 1 | GPS fixing plate | - | - | - | | | |
| Item | Qty | Description | Standard | Material | Drawing No | | | |
| | | Sheet | Paper Size | Designer | Appr. | Scale | Replacing | Date |
| | | 7 of 7 | A3 | TB | | 1:2 | | 2006-01-20 |
| | | CASTOR | NOSE CONE ASSY | | | | Project No | Prod.-grp |
| | | | | | | | Drawing no. | Revision |
| | | | | | | | | 02 |