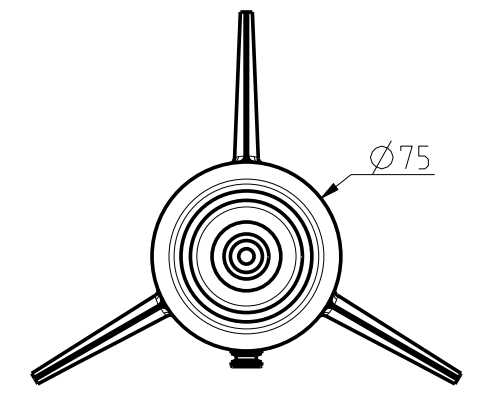
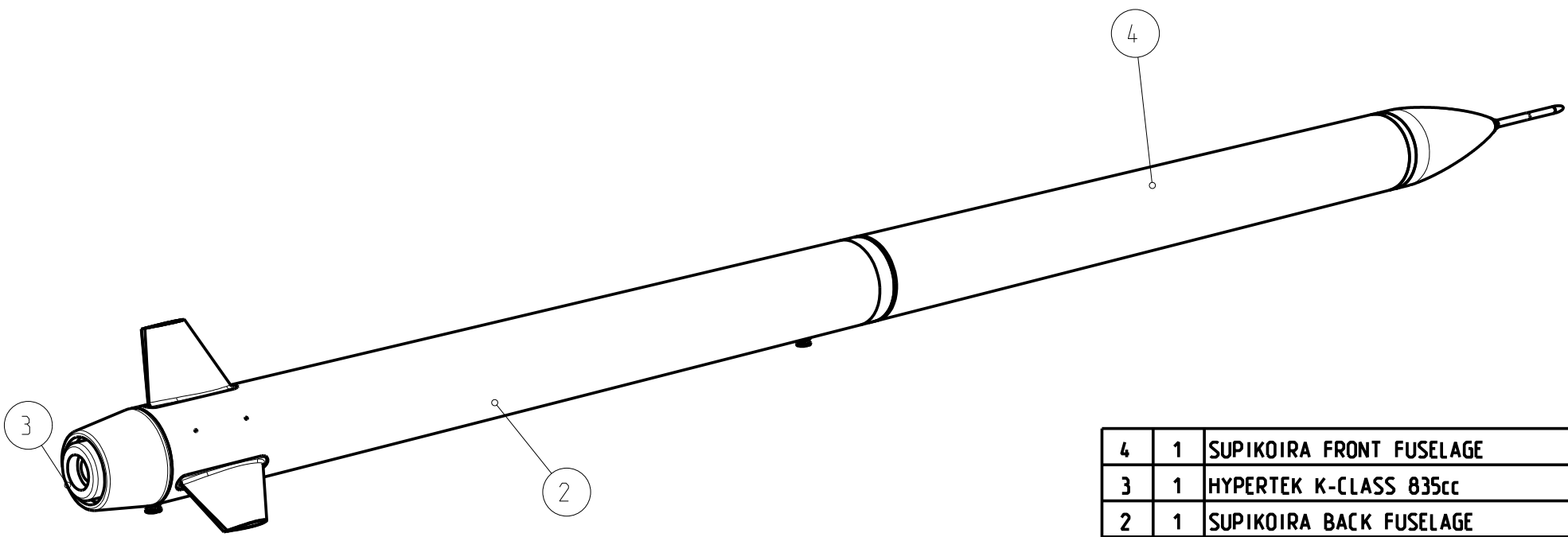
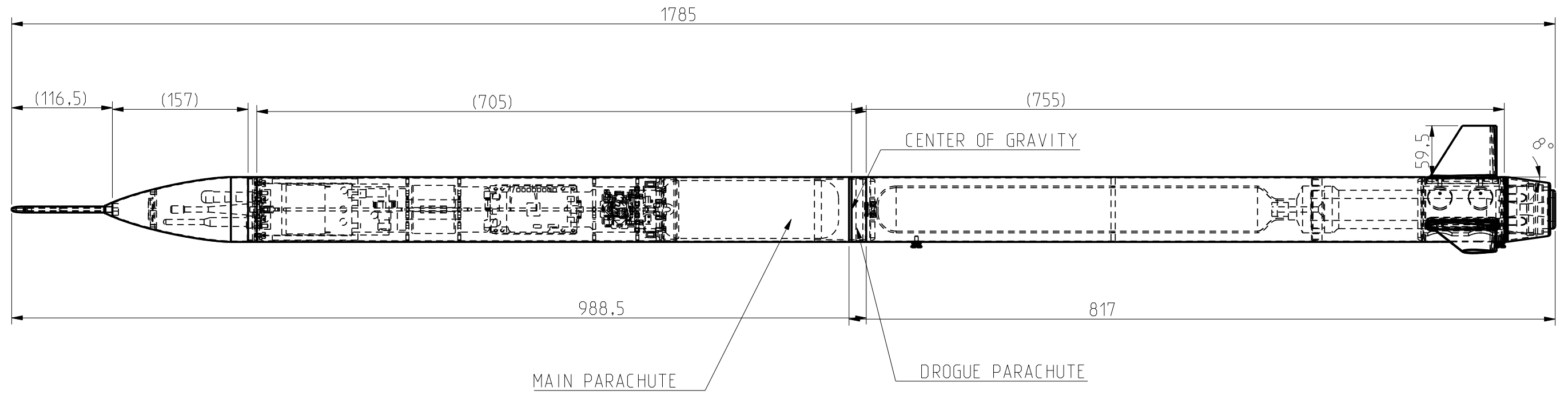


Project: SUPIKOIRA-1
 Drawing No: 04
 Date: 2005-04-09



SCALE 1:3

MAX. FLIGHT ALTITUDE FOR SUPIKOIRA-1
 WITH K-CLASS HYPERTEK IS
 APPROXIMATELY 2500m.
 Rocket mass with filled motor: 4,95 kg

4	1	SUPIKOIRA FRONT FUSELAGE				-
3	1	HYPERTEK K-CLASS 835cc				-
2	1	SUPIKOIRA BACK FUSELAGE			CF	-
1	1	MAIN PARAHUTE				-
Item	Qty	Description	Standard	Material	Drawing No	
CASTOR	Sheet	1 of 7	Paper Size	A3	Designer	TB
	Appr.		Scale	1:5	Replacing	Date
	Scale	1:5	Replacing		Date	2005-04-09
		SUPIKOIRA-1 ROCKET HYBRID MOTOR	Project No		Prod.-grp	-
			Drawing no.		Revision	04